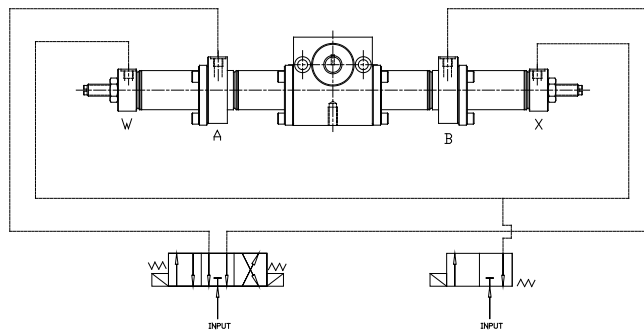




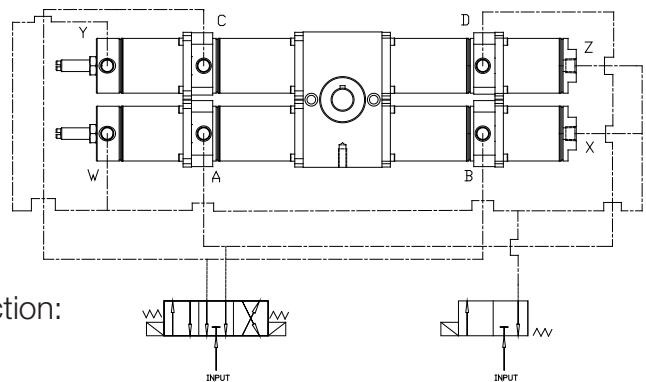
## Operation of 3-Position Pneu-Turn® Cylinders

The purpose of this document is to help distributors and customers properly plumb a 3-Position Rotary Actuator (double and single rack). To accomplish this you can use a 4-way, 3 position valve with an open center and a 3-way valve.

For a single rack model, the 4-way valve would be hooked up to the center ports (A & B). The 3-way valve would be hooked up to the outer port (W & X). Energize port A to rotate shaft to the full counter clockwise position. Energize port B for the full clockwise position. To get to the center position, energize BOTH W and X ports.



For double rack models, the 4-way valve would be hooked up to the center ports (A, B, C & D). The 3-way valve would be hooked up to the outer ports (W, X, Y & Z). Energize port A and D to rotate shaft to the full counter position. Energize port B and C for the full clockwise position. To get to the center position, energize all outer ports—W, X, Y & Z.



Possible Mead valve part numbers to achieve this function:

- C2-6RDCD (4 way, 3 position with open exhaust)
- MB25-3CSC (3 way, normally closed)

For other valve circuit options, please contact Mead: (877) MEAD USA or [sales@mead-usa.com](mailto:sales@mead-usa.com)

The information presented is in Bimba's best engineering opinion and should be used for reference only. Recommendations derived should be verified under actual operating conditions. Bimba reserves the right to change specifications without prior notice.

**Bimba Manufacturing Company**  
 Monee, IL 60449-0068  
 Telephone: 708.534.8544  
 Email: [cs@bimba.com](mailto:cs@bimba.com)  
[www.bimba.com](http://www.bimba.com)  
 Rev Level: 0

Leaders in Actuation.

To learn more about this product, scan this QR code with your mobile device.

