



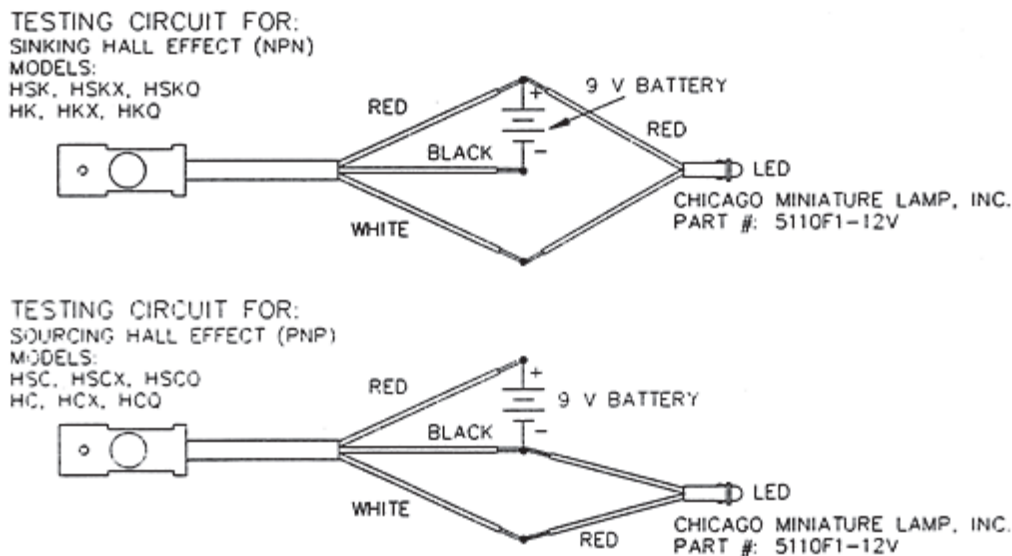
Bench Testing Hall Effect Switches

The following is a recommended test method for checking the operation of a Hall Effect switch. What is required is a 9 Volt battery, and an LED with a built-in resistor (Chicago Miniature Lamp part: 5110F1-12V). This test circuit works for voltage ranges of 5 to 12 V DC. Information on purchasing the LED required for the test is given on page 2 of this bulletin.

How to check a Hall Effect switch:

1. Connect your Hall switch as shown. Make sure you hook up the appropriate test circuit depending on whether you have a Sourcing or a Sinking switch.
2. Place a magnet near the Hall Effect switch. If the LED lights up and responds to the magnet, then you have a working switch.

Note: If the battery is low, and is supplying less than 5 V DC, the Hall Effect switch will stay "ON" all the time or won't work at all.



Chicago Miniature Lamp is one of the largest LED manufacturers in the US. They are carried by two major electrical distributors. The phone number for Chicago Miniature Lamp: Corporate #: (201) 489-8989 or Local Division #: (847) 882-8720. Two major national electrical distributors that carry CML are: Newark: 1-800-463-9275 DigiKey: 1-800-344-4539

The information presented is in Bimba's best engineering opinion and should be used for reference only. Recommendations derived should be verified under actual operating conditions. Bimba reserves the right to change specifications without prior notice.

Bimba Manufacturing Company
Monee, IL 60449-0068
Telephone: 708.534.8544
Email: cs@bimba.com
www.bimba.com
Rev Level: 0

Leaders in Actuation.

To learn more about this product, scan this QR code with your mobile device.

