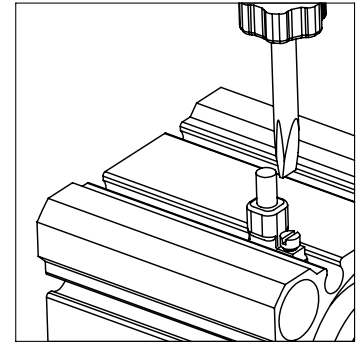
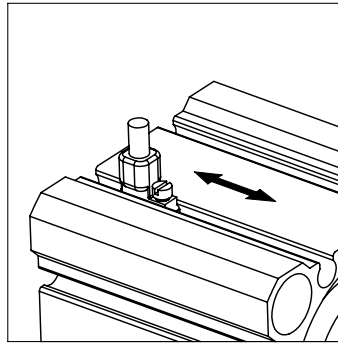
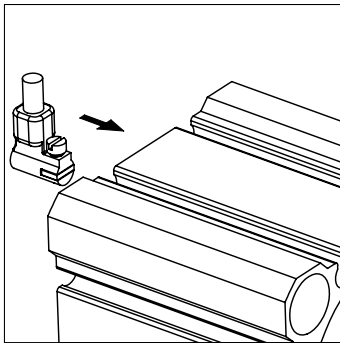




Mini GMR Switch (Sinking)

Quick Connect: MHKQS-90 / Pig Tail Lead: MHK-90, MHKX-90

SWITCH MOUNTING INSTRUCTIONS



NOTE: Maximum torque on set screw is .170 N-m (1.5 in-lbs.). Do not overtorque.

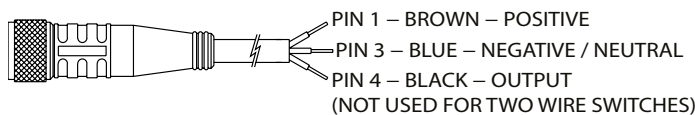
ELECTRICAL SPECIFICATIONS

Circuit	Normally Open	Operating Temperature	-10° to 70°C
Input Voltage	5 to 28 VDC		14° to 158°F
Current Rating	50 mA	Enclosure	IEC IP67
Voltage Drop	0.5 Volts, max.	LED Indicator	Red
Off State Leakage	0.1 mA	Reverse Polarity Protected	
Turn ON/OFF Time	1 mS	Over Voltage Protected	

PIN AND WIRE ASSIGNMENTS

MHKQS-90

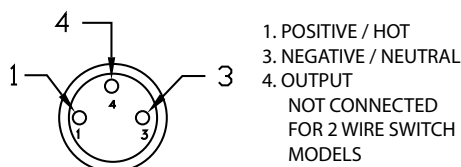
8mm Female Connector



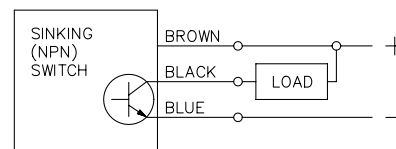
Model "C" - 2m Cable

Model "CX" - 5m Cable

Face View of Male Connector



MHK-90, MHKX-90



CAUTION: Shorting black wire to ground will damage switch

WIRE COLOR CODES

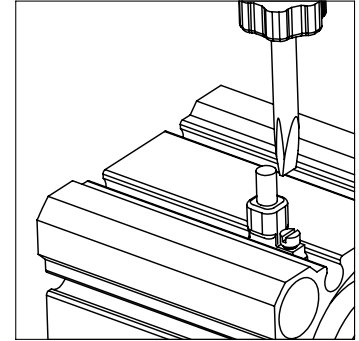
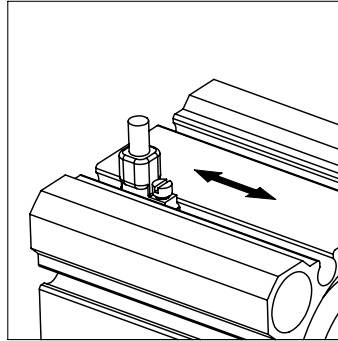
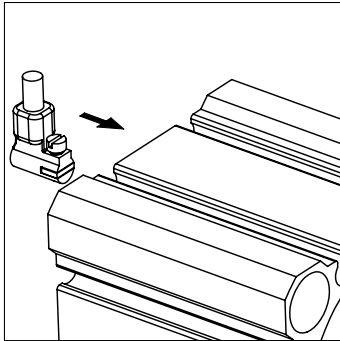
Brown	(+) Positive
Black	Output
Blue	(-) Negative



Mini GMR Switch (Sourcing)

Quick Connector: MHCQS-90 / Pig Tail Lead: MHC-90, MHCX-90

SWITCH MOUNTING INSTRUCTIONS



NOTE: Maximum torque on set screw is .170 N-m (1.5 in-lbs.). Do not overtorque.

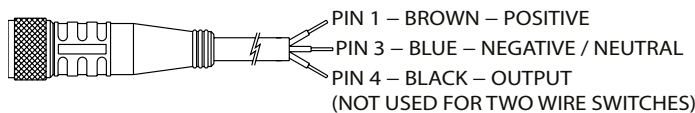
ELECTRICAL SPECIFICATIONS

Circuit	Normally Open	Operating Temperature	-10° to 70°C
Input Voltage	5 to 28 VDC		14° to 158°F
Current Rating	50 mA	Enclosure	IEC IP67
Voltage Drop	0.5 Volts, max.	LED Indicator	Yellow
Off State Leakage	0.1 mA	Reverse Polarity Protected	
Turn ON/OFF Time	1 mS	Over Voltage Protected	

PIN AND WIRE ASSIGNMENTS

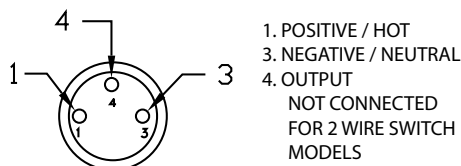
MHCQS-90

8mm Female Connector

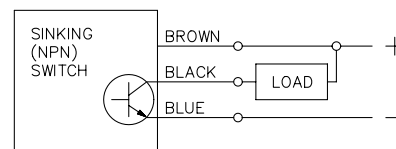


Model "C" - 2m Cable
Model "CX" - 5m Cable

Face View of Male Connector



MHC-90, MHCX-90



CAUTION: Shorting black wire to ground will damage switch

WIRE COLOR CODES

Brown	(+) Positive
Black	Output
Blue	(-) Negative

Bimba

25150 S. Governors Hwy
University Park, IL 60484
Tel: +1 800 44 BIMBA

Fax: +1 708 235 2014
Email: cs@imi-precision.com
Website: www.bimba

Form: BMS-1030
Rev.: ECB-010022