



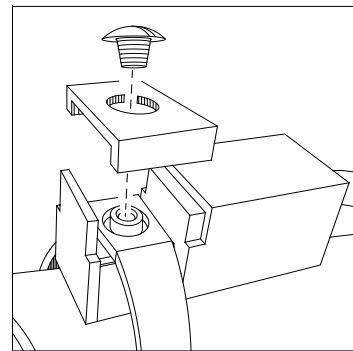
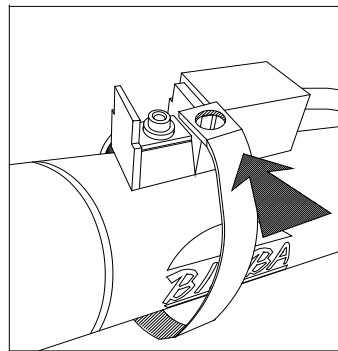
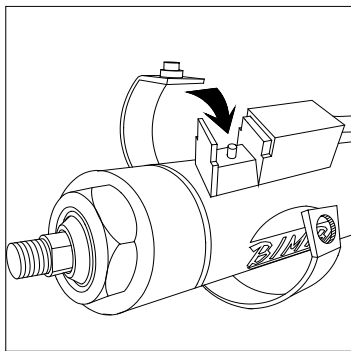
# MRS® Magnetic Reed Switch

## Pig Tail Lead (Quick Connect on reverse side) MRS-.027-B, MRS-.027-BL

### CONTENTS

- > 1 switch
- > 1 band
- > 1 U-shaped bracket
- > 1 button head hex screw

### SWITCH MOUNTING INSTRUCTIONS



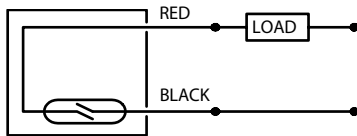
### ELECTRICAL SPECIFICATIONS

#### MRS-.027-B

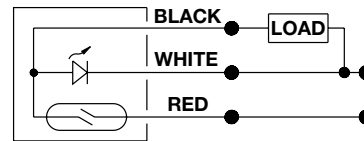
Contacts	SPST Form A (Normally Open)
Contact Rating	3 Watts max.
Switch Voltage	28 Volts AC/DC max.
Maximum Current	250 mA max. (Resistive)
Actuating Time Average	1.0 millisecond

#### MRS-.027-BL

Contacts	SPST Form A (Normally Open)
Contact Rating	2.8 Watts max.
Switch Voltage	6 to 24 Volts AC or DC
Maximum Current	250 mA max. (Resistive)
Actuating Time Average	1.0 millisecond



2 wire models, no LED



3 wire models, with LED

#### Bimba

25150 S. Governors Hwy  
University Park, IL 60484  
Tel: +1 800 44 BIMBA

Fax: +1 708 235 2014  
Email: cs@imi-precision.com  
Website: www.bimba

Form: BMS-1028  
Rev. 1: EC-39223