

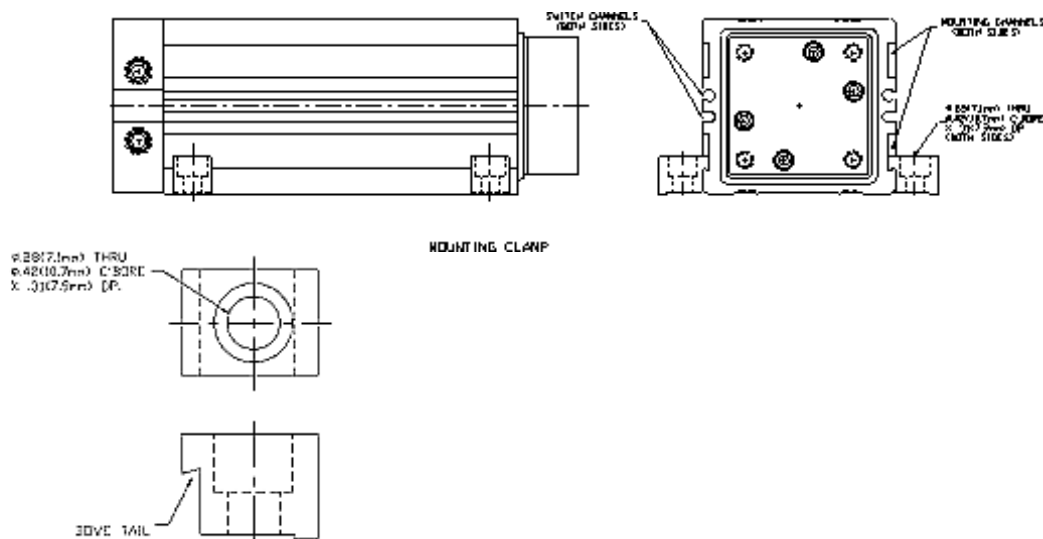


Insert the dove tail or angular end of the clamp into one of the mounting channels that run along the length of the guide beam. Either the top or bottom channel can be used, depending on the installation orientation your application requires.

The clamp has a 0.28" (7.1mm) diameter through hole with a 0.42 x 0.31 DP (10.7mm x 7.9mm) counter bore. Insert your fastener through the hole and torque to 100 in-lbs (11.3 N-M).

Important installation notes:

- > The side switch tracks are not engineered for installation of the actuator.
- > Install the clamp so that the entire width of the dove tail or angular side of the clamp is engaged in the guide beam channel.



The information presented is in Bimba's best engineering opinion and should be used for reference only. Recommendations derived should be verified under actual operating conditions.

Bimba reserves the right to change specifications without prior notice.

Date: 12/4/08 Rev Level: 0

Bimba Manufacturing Company
Monee, IL 60449-0068
Tel: 708.534.8544
Fax: 708.235.2014

Email: cs@imi-precision.com
Website: www.bimba.com

For further information, scan
this QR code or visit
www.bimba.com

Form: BMS-1110

