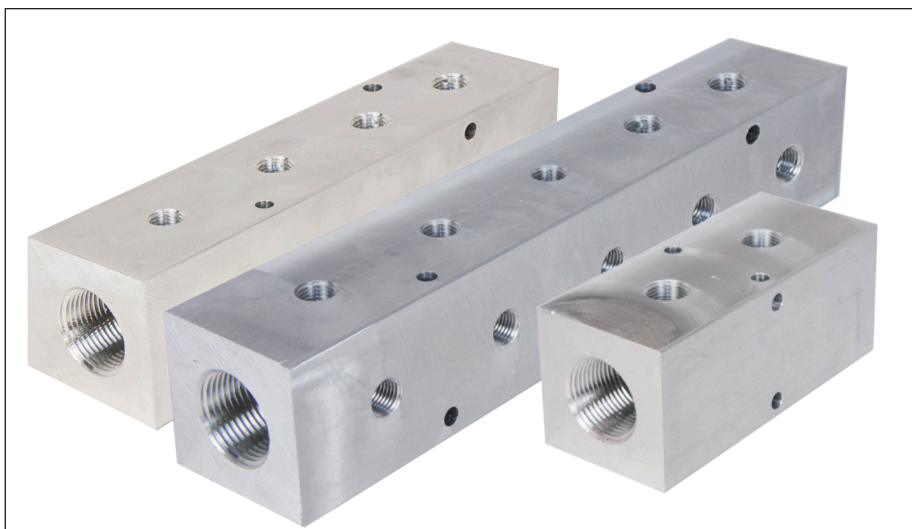


Features

- Input port: 1 NPT
- Output ports: 1/4, 3/8, 1/2, and 3/4 NPT
- Inline and 90° porting configurations
- 2 to 8 stations
- Aluminum



1 NPT Ported Manifolds

Pneumadyne’s Inline and 90° aluminum manifolds are now available with 1 NPT input ports and output ports ranging from 1/4 NPT to 3/4 NPT. These 2 to 8-station manifolds provide a convenient junction point for distributing fluids or gases in an application. Simply thread fittings into the ports to produce an organized method of supplying multiple lines from a single source.

Performance Data

Material	Operating Pressure at 72° F	Temp. Range	Corrosion Resistance	Chemical Resistance	Durability	For Use With
Aluminum 6061	1000 psi non-shock air, 3000 psi non-shock hydraulic	-10° to 200° F	Good	Fair	Good	Air, water, natural gas, hydraulic oils, gasoline

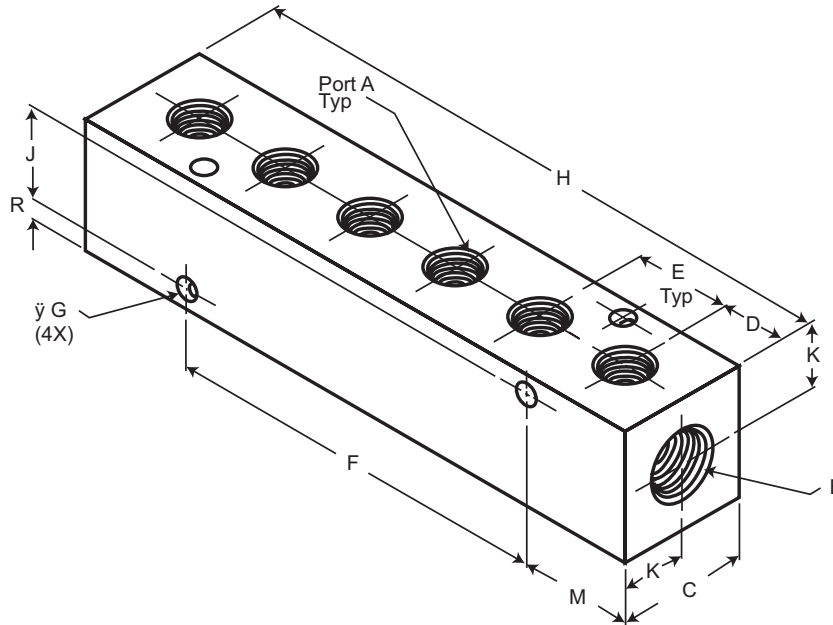
Port Options

Definition	Options
Input	<ul style="list-style-type: none"> • 1 NPT
Output	<ul style="list-style-type: none"> • 1/4 NPT • 3/8 NPT • 1/2 NPT • 3/4 NPT

Materials

Aluminum

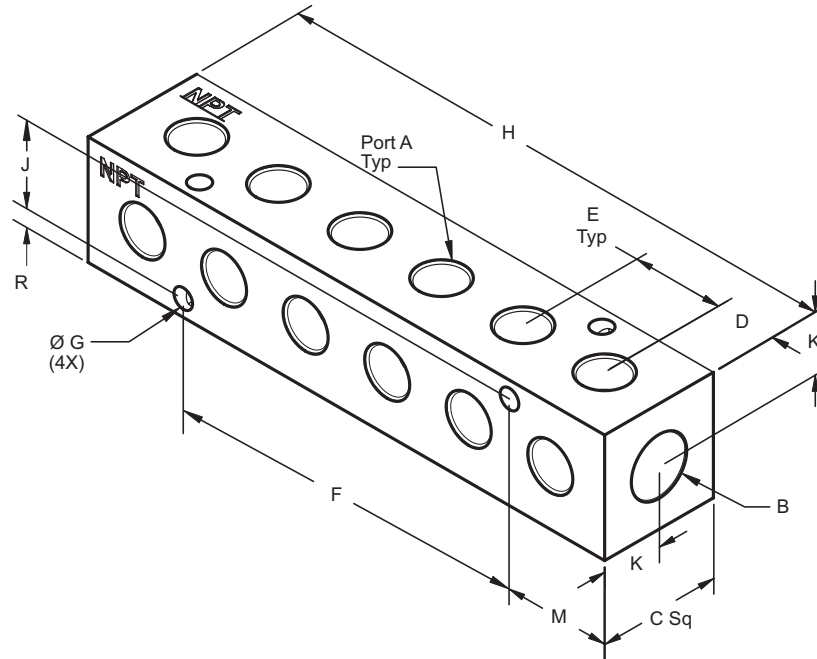
Inline Manifolds



Product Information

Part Number	Number of Stations	A (NPT)	B (NPT)	C	D	E	F	G	H	J	K	M	R
1 NPT (F) Input x 1/4 NPT (F) Output													
M40-250-2	2	1/4	1	2.25	1.50	2.25	N/A	0.26	5.25	1.63	1.13	2.63	0.31
M40-250-3	3	1/4	1	2.25	1.50	2.25	2.25	0.26	7.50	1.63	1.13	2.63	0.31
M40-250-4	4	1/4	1	2.25	1.50	2.25	4.50	0.26	9.75	1.63	1.13	2.63	0.31
M40-250-5	5	1/4	1	2.25	1.50	2.25	6.75	0.26	12.00	1.63	1.13	2.63	0.31
M40-250-6	6	1/4	1	2.25	1.50	2.25	9.00	0.26	14.25	1.63	1.13	2.63	0.31
M40-250-7	7	1/4	1	2.25	1.50	2.25	11.25	0.26	16.50	1.63	1.13	2.63	0.31
M40-250-8	8	1/4	1	2.25	1.50	2.25	13.50	0.26	18.75	1.63	1.13	2.63	0.31
1 NPT (F) Input x 3/8 NPT (F) Output													
M40-375-2	2	3/8	1	2.25	1.50	2.25	N/A	0.26	5.25	1.63	1.13	2.63	0.31
M40-375-3	3	3/8	1	2.25	1.50	2.25	2.25	0.26	7.50	1.63	1.13	2.63	0.31
M40-375-4	4	3/8	1	2.25	1.50	2.25	4.50	0.26	9.75	1.63	1.13	2.63	0.31
M40-375-5	5	3/8	1	2.25	1.50	2.25	6.75	0.26	12.00	1.63	1.13	2.63	0.31
M40-375-6	6	3/8	1	2.25	1.50	2.25	9.00	0.26	14.25	1.63	1.13	2.63	0.31
M40-375-7	7	3/8	1	2.25	1.50	2.25	11.25	0.26	16.50	1.63	1.13	2.63	0.31
M40-375-8	8	3/8	1	2.25	1.50	2.25	13.50	0.26	18.75	1.63	1.13	2.63	0.31
1 NPT (F) Input x 1/2 NPT (F) Output													
M40-500-2	2	1/2	1	2.25	1.50	2.25	N/A	0.26	5.25	1.63	1.13	2.63	0.31
M40-500-3	3	1/2	1	2.25	1.50	2.25	2.25	0.26	7.50	1.63	1.13	2.63	0.31
M40-500-4	4	1/2	1	2.25	1.50	2.25	4.50	0.26	9.75	1.63	1.13	2.63	0.31
M40-500-5	5	1/2	1	2.25	1.50	2.25	6.75	0.26	12.00	1.63	1.13	2.63	0.31
M40-500-6	6	1/2	1	2.25	1.50	2.25	9.00	0.26	14.25	1.63	1.13	2.63	0.31
M40-500-7	7	1/2	1	2.25	1.50	2.25	11.25	0.26	16.50	1.63	1.13	2.63	0.31
M40-500-8	8	1/2	1	2.25	1.50	2.25	13.50	0.26	18.75	1.63	1.13	2.63	0.31
1 NPT (F) Input x 3/4 NPT (F) Output													
M40-750-2	2	3/4	1	2.25	1.50	3.00	N/A	0.26	6.00	1.63	1.13	3.00	0.31
M40-750-3	3	3/4	1	2.25	1.50	3.00	3.00	0.26	9.00	1.63	1.13	3.00	0.31
M40-750-4	4	3/4	1	2.25	1.50	3.00	6.00	0.26	12.00	1.63	1.13	3.00	0.31
M40-750-5	5	3/4	1	2.25	1.50	3.00	9.00	0.26	15.00	1.63	1.13	3.00	0.31
M40-750-6	6	3/4	1	2.25	1.50	3.00	12.00	0.26	18.00	1.63	1.13	3.00	0.31
M40-750-7	7	3/4	1	2.25	1.50	3.00	15.00	0.26	21.00	1.63	1.13	3.00	0.31
M40-750-8	8	3/4	1	2.25	1.50	3.00	18.00	0.26	24.00	1.63	1.13	3.00	0.31

90° Manifolds



Product Information

Part Number	Number of Stations	A (NPT)	B (NPT)	C	D	E	F	G	H	J	K	M	R
1 NPT (F) Input x 1/4 NPT (F) Output													
M40-250-2-90	2	1/4	1	2.25	1.50	2.25	N/A	0.26	5.25	1.63	1.13	2.63	0.31
M40-250-3-90	3	1/4	1	2.25	1.50	2.25	2.25	0.26	7.50	1.63	1.13	2.63	0.31
M40-250-4-90	4	1/4	1	2.25	1.50	2.25	4.50	0.26	9.75	1.63	1.13	2.63	0.31
M40-250-5-90	5	1/4	1	2.25	1.50	2.25	6.75	0.26	12.00	1.63	1.13	2.63	0.31
M40-250-6-90	6	1/4	1	2.25	1.50	2.25	9.00	0.26	14.25	1.63	1.13	2.63	0.31
M40-250-7-90	7	1/4	1	2.25	1.50	2.25	11.25	0.26	16.50	1.63	1.13	2.63	0.31
M40-250-8-90	8	1/4	1	2.25	1.50	2.25	13.50	0.26	18.75	1.63	1.13	2.63	0.31
1 NPT (F) Input x 3/8 NPT (F) Output													
M40-375-2-90	2	3/8	1	2.25	1.50	2.25	N/A	0.26	5.25	1.63	1.13	2.63	0.31
M40-375-3-90	3	3/8	1	2.25	1.50	2.25	2.25	0.26	7.50	1.63	1.13	2.63	0.31
M40-375-4-90	4	3/8	1	2.25	1.50	2.25	4.50	0.26	9.75	1.63	1.13	2.63	0.31
M40-375-5-90	5	3/8	1	2.25	1.50	2.25	6.75	0.26	12.00	1.63	1.13	2.63	0.31
M40-375-6-90	6	3/8	1	2.25	1.50	2.25	9.00	0.26	14.25	1.63	1.13	2.63	0.31
M40-375-7-90	7	3/8	1	2.25	1.50	2.25	11.25	0.26	16.50	1.63	1.13	2.63	0.31
M40-375-8-90	8	3/8	1	2.25	1.50	2.25	13.50	0.26	18.75	1.63	1.13	2.63	0.31
1 NPT (F) Input x 1/2 NPT (F) Output													
M40-500-2-90	2	1/2	1	2.25	1.50	2.25	N/A	0.26	5.25	1.63	1.13	2.63	0.31
M40-500-3-90	3	1/2	1	2.25	1.50	2.25	2.25	0.26	7.50	1.63	1.13	2.63	0.31
M40-500-4-90	4	1/2	1	2.25	1.50	2.25	4.50	0.26	9.75	1.63	1.13	2.63	0.31
M40-500-5-90	5	1/2	1	2.25	1.50	2.25	6.75	0.26	12.00	1.63	1.13	2.63	0.31
M40-500-6-90	6	1/2	1	2.25	1.50	2.25	9.00	0.26	14.25	1.63	1.13	2.63	0.31
M40-500-7-90	7	1/2	1	2.25	1.50	2.25	11.25	0.26	16.50	1.63	1.13	2.63	0.31
M40-500-8-90	8	1/2	1	2.25	1.50	2.25	13.50	0.26	18.75	1.63	1.13	2.63	0.31
1 NPT (F) Input x 3/4 NPT (F) Output													
M40-750-2-90	2	3/4	1	2.25	1.50	3.00	N/A	0.26	6.00	1.63	1.13	3.00	0.31
M40-750-3-90	3	3/4	1	2.25	1.50	3.00	3.00	0.26	9.00	1.63	1.13	3.00	0.31
M40-750-4-90	4	3/4	1	2.25	1.50	3.00	6.00	0.26	12.00	1.63	1.13	3.00	0.31
M40-750-5-90	5	3/4	1	2.25	1.50	3.00	9.00	0.26	15.00	1.63	1.13	3.00	0.31
M40-750-6-90	6	3/4	1	2.25	1.50	3.00	12.00	0.26	18.00	1.63	1.13	3.00	0.31
M40-750-7-90	7	3/4	1	2.25	1.50	3.00	15.00	0.26	21.00	1.63	1.13	3.00	0.31
M40-750-8-90	8	3/4	1	2.25	1.50	3.00	18.00	0.26	24.00	1.63	1.13	3.00	0.31