



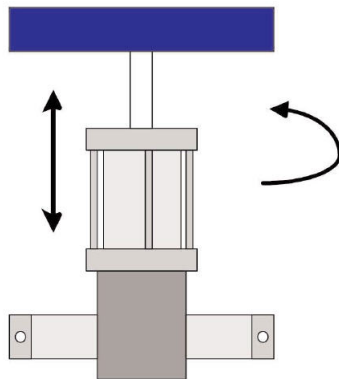
## Single Multi-Motion Actuator Allows You to Lift and Rotate

### Challenge:

A printer needed a way to automate the heavy plate changing process. This is a job that was usually performed by at least two workers, due to the size and weight of the plate. It consisted of shutting down the line, switching out the plates, and starting the line back up, which resulted in approximately 30 minutes of downtime, on average.

### Solution:

Bimba developed a multi-motion actuator to lift and rotate the plate 90°. The design featured a zero backlash rack and pinion, and was able to reduce the overall length and width compared to competitors' products. This automated the process, and cut the time of switching out the plate down to a few minutes.



### Benefits:

- Lift and rotate using a single actuator.
- Single actuator design saves space.
- Zero backlash rack and pinion design.

### Other Applications:

- Pick and Place
- Capping
- Parts Transfer

