

## Metallic Boots Improve Cylinder Life by 30% and Reduce Maintenance by 20%

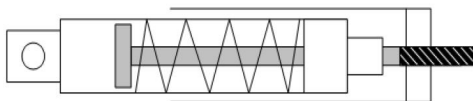
### Challenge:

A customer was using a Bimba cylinder in an area near a welding environment. Incidental weld splatter would regularly come in contact with the cylinder's rod, causing rod seal and bearing damage as the cylinder actuated.

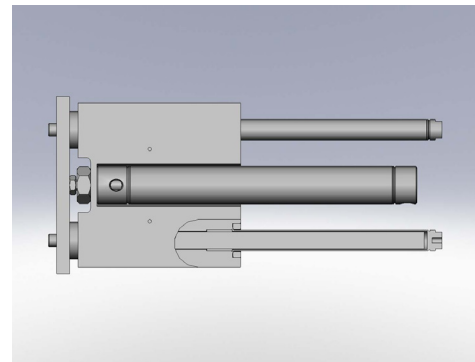
### Solution:

Bimba developed a unique rod boot to help solve the problem. By fastening a larger size of cylinder tubing to the rod of the cylinder, Bimba created a metallic rod boot that was robust enough to handle the environment while traversing over the body of the standard cylinder. This eliminated the weld splatter from adhering to the cylinder rod, which resulted in extended cylinder life of 30% and reduced maintenance by 20%.

Bimba took a similar approach for another application with somewhat different concerns. Bimba mounted two stainless steel tube bodies (complete with assembled rear heads) to the back of a linear thruster. This gave excellent protection to the guide shafts of that linear thruster. More importantly, it eliminated potential pinch points from the moving guide shafts.



Above is a schematic of a simple single acting cylinder with metallic rod boot mounted.



### Benefits:

- Protects cylinder rod from weld splatter.
- Improves cylinder life 30%.
- Reduces maintenance 20%.
- Eliminates pinch points from guide shafts.

### Other Applications:

- Washdown
- Food Processing
- Machining Operations
- Dairy Processing Equipment