



Solutions Shop Printing

Other Applications:

- > Material Handling
- > Gripping
- > Clamping
- > Sorting Equipment



Gripper with Integrated Valve Increases Workflow Efficiency 15%

Challenge:

A manufacturer of post-press finishing equipment needed help increasing workflow efficiency for an application used in their commercial printers. The OEM was using a Bimba Extruded Flat Cylinder with external guiding to clamp printed stock for trimming and binding in a rotary machine. The manufacturer added a modified tooling plate to the cylinder and attempted to integrate it with a mechanical switch and valve, in hopes to improve efficiency.

Solution:

Working closely with the manufacturer, Bimba successfully developed a more efficient package for the machine. The new design incorporated a special tooling plate with "end effector" pads, a mechanical switch, and an internal porting and valve system, all built into the unit. In addition to reducing the customer's work by 15%, the manufacturer was most pleased with the simplicity of the design assistance Bimba provided, especially through the iterative sharing of Solidworks CAD files.

Benefits:

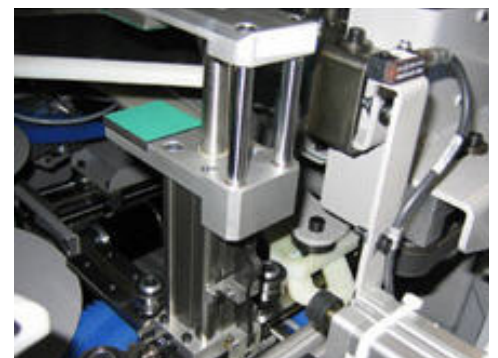
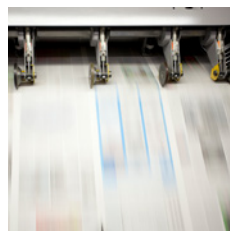
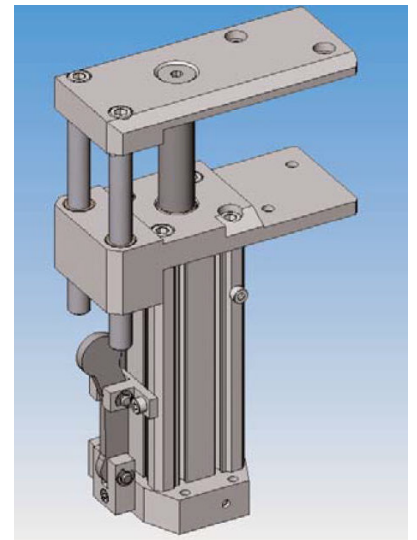
- > Increases workflow efficiency by 15%.
- > Reduces amount of manual labor.

For further information:

Visit www.bimba.com/en/Solution-Centers/Industry-Solutions-Center/

Contact Bimba at 1-800-44-BIMBA or cs@bimba.com

S-131010



Bimba is part of

IMI Precision
Engineering