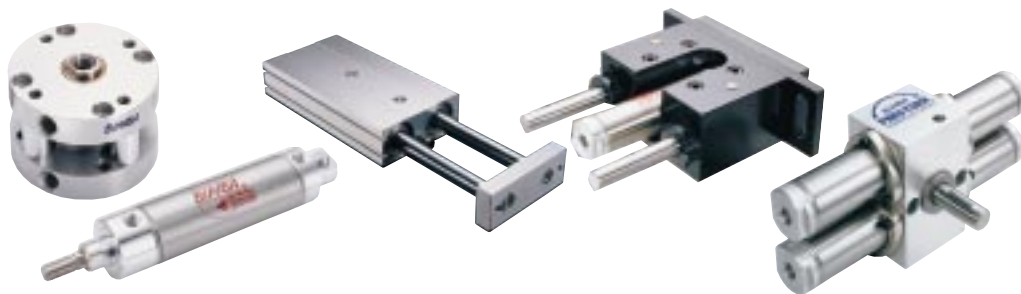
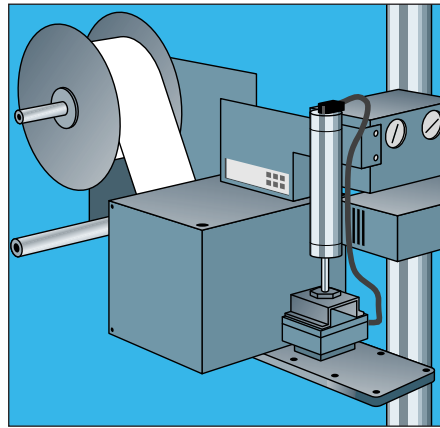
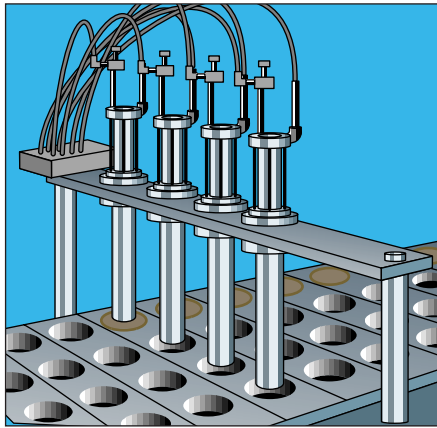
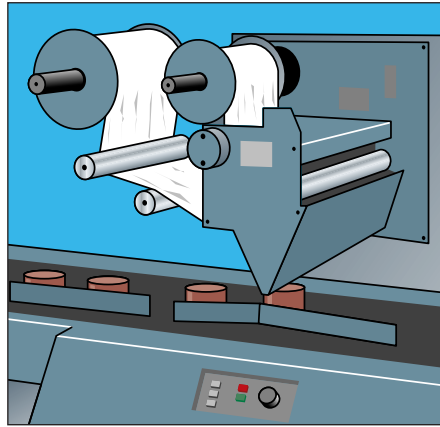
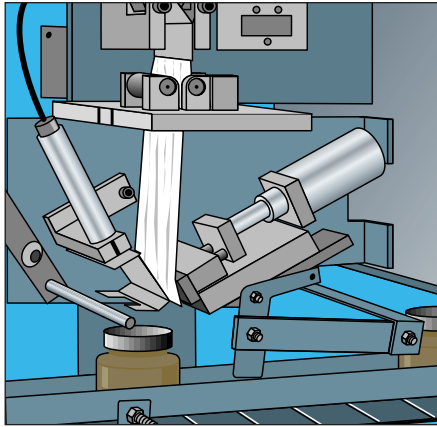


Pneumatic Actuators for the Packaging Industry

A Design Engineer's Guide to Bimba Actuators and Accessories





ORIGINAL LINE CYLINDERS

Constructed of “mirror finish” 304 stainless steel with precision double-rolled construction, Bimba Original Line Cylinders have a reputation as working harder and lasting longer in such applications as bagging and sealing, case forming, packing and sealing, and coding and marking. Performance-enhancing options include bumpers, rod wipers, position sensing, and seals and lubricants for special environments.

NON-ROTATING ORIGINAL LINE CYLINDERS

Providing the precise guided movement needed for many automated labeling applications is the Bimba Non-Rotating Original Line cylinder. A unique square piston rod with rounded corners prevents rotation better than other rod configurations.

PC CYLINDERS

Bimba PC cylinders are corrosion-resistant cylinders for bottling line applications. An anodized aluminum alloy piston makes the cylinder stronger than plastic end cap cylinders with plastic pistons.

FLAT-1® CYLINDERS

Bimba Flat-1 cylinders are a perfect fit when space is tight in blister, skin and vacuum packaging applications. These compact cylinders feature 304 stainless steel bodies and are available in round, square, non-rotating, multiple power and multiple position models for design versatility.

HOLE PUNCH CYLINDERS

Bimba Hole Punch cylinders are designed to punch millions of holes in film or other 2mil to 3mil thin sheet materials.

PNEU-TURN® ROTARY ACTUATORS

Bimba Pneu-Turn rotary actuators offer up to 1080° of rotation. They are perfect for carton erecting, loading and closing applications.

LINEAR THRUSTERS

Bimba Linear Thrusters provide smooth guided motion in labeling applications. Choose from composite bearing or ball bearing models for added flexibility.

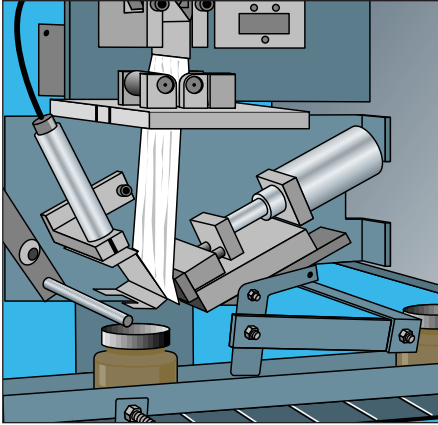
TWIN BORE CYLINDERS

The Bimba Twin Bore cylinder is a small cross-section, double bore cylinder that provides highly accurate linear motion. Its dual bores exert twice the force of a traditional cylinder while providing smooth, non-rotating actuation in material handling applications.

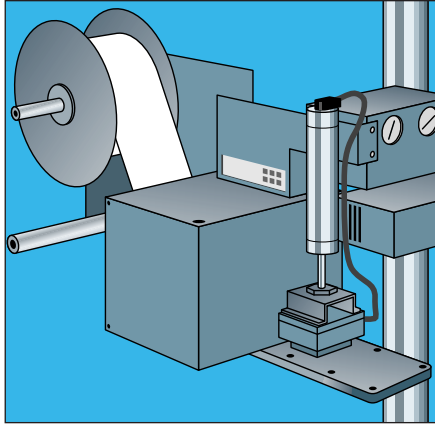
ULTRAN® RODLESS CYLINDERS

Featuring magnetically coupled design, the Bimba Ultram rodless cylinders provide high coupling strength to carry higher loads. This makes the cylinder a good choice for a variety of material handling applications.

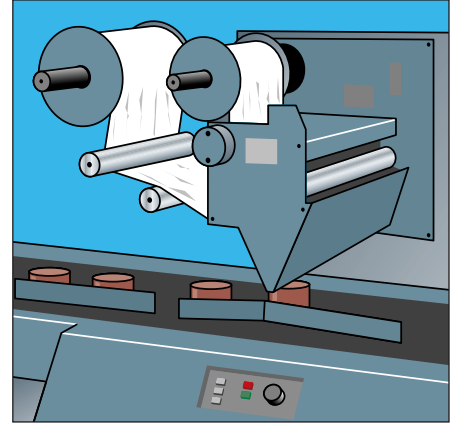
A closer look at some of our packaging application solutions



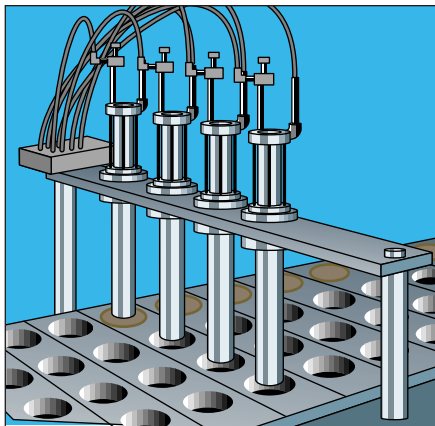
Shrink Wrapping



Label Printing



Container/Sealing



Container Filling

Bagging and Sealing. Long life and reliability were just two of the reasons why Bimba Original Line cylinders were selected to actuate sealing mechanisms for plastic packaging materials.

Blister, Skin and Vacuum Packaging. Because their compact size minimizes protrusion, Bimba Flat-1® cylinders were specified to open and close gate valves for products transmitted via vacuum.

Bottling Line Equipment. Due to their excellent corrosion resistance, Bimba PC Cylinders were chosen for use on a capping machine.

Carton Erecting, Loading and Closing. Bimba Pneu-Turn® rotary actuators were utilized to close flaps on case erectors without complicated linkages.

Case Forming, Packing and Sealing. Bimba Original Line cylinders and Flat-1 cylinders were used to stage units to be packaged, close carton flaps and position filling heads.

Coding and Marking. Bimba Original Line cylinders and Flat-1 cylinders were used to accurately move marking heads into position.

Container Feeding, Filling and Sealing. Consolidating components, Bimba DXDEH Cylinders dispense product through hollow rods and move the filling head into position.

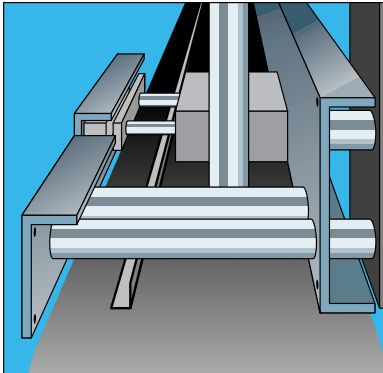
Container Marking and Converting. Multiple position Bimba Flat-1 cylinders simplify positioning applications on converting machinery.

Forming/Filling/Sealing. Bimba Original Line cylinders open, close and help seal bags for powdered or granulated product.

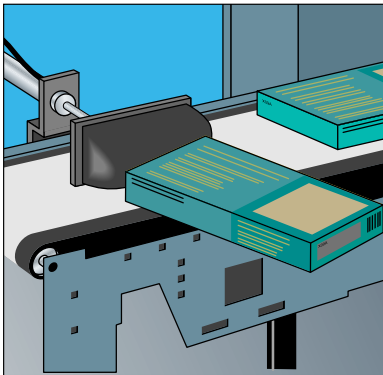
Inspecting. Bimba Original Line cylinders are used to check for a variety of defects in packages at a high speed.

Labeling. Bimba Linear Thrusters and Non-Rotating Original Line cylinders securely hold label pads in place while the labels are applied to containers.

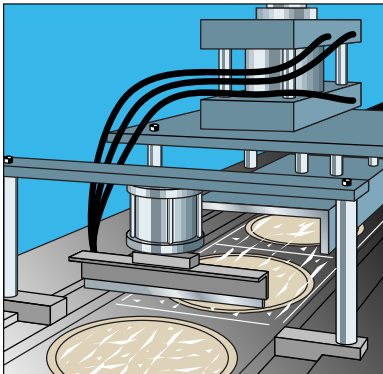
More packaging application solutions...



Case Forming



Material Handling



Heat Sealing

Material Handling. A Bimba Twin Bore cylinder, Linear Thruster, Flat-1 cylinder, Original Line cylinder and Ultram[®] Rodless cylinder stage, stop, consolidate and shift products on a conveying system.

Weighing. Bimba Original Line cylinders and Pneu-Turn rotary actuators actuate closures on unit weighing systems.

Strapping. Double end, hollow rod Bimba Flat-1 cylinders are used to position an assembly on tray packaging machinery.

Stretch and Shrink-Wrapping. The automation of loading and unloading shrink-wrap machines is facilitated through the use of Bimba Original Line cylinders and Flat-1 cylinders.

Materials. Bimba Hole Punch cylinders are specifically designed for the polyethylene film making industry.

To learn more...

Since introducing round line, stainless steel body cylinders more than 40 years ago, Bimba has pioneered thousands of different actuators for worldwide markets. Today our product line features space-saving cylinders, NFPA-interchangeable cylinders, and position feedback and non-rotating cylinders. We also offer TRD Manufacturing cylinders, linear thrusters, rotary actuators, magnetically coupled rodless cylinders, cylinders designed to ISO specifications, plus a vast selection of flow controls, switch options and accessories

To learn more about Bimba, contact your local distributor. If you need the name of your local distributor, just give us a call or visit our Web site at www.bimba.com.

Your Stocking Bimba Distributor is:

For technical assistance,
call 1-800-44-BIMBA
(1-800-442-4622)



Bimba Manufacturing Company
Monee, Illinois 60449-0068
Phone: 708-534-8544
FAX: 708-534-5767

www.bimba.com

ISO 9001
CERTIFIED

Bimba Limited
23 Maxwell Road
Woodston, Peterborough
Cambridgeshire PE2 7JD
United Kingdom
Phone: 01733 391078
FAX: 01733 391080

Bimba Limited Asia-Pacific
Thoren Techno Centre
12 New Industrial Road #03-04
Singapore 536202
Phone: (65) 283-3316
FAX: (65) 283-3317