



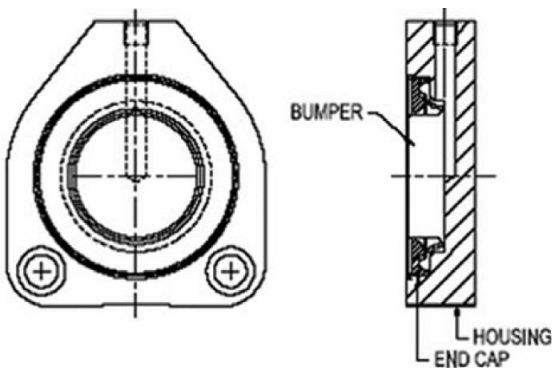
Diaphragm Actuator Provides High Clamping Forces in Small Package

Challenge:

A customer was looking for a compact design that could produce high forces in a clamping application. Solutions they had tried from other companies were causing the parts to be scratched when they were clamped.

Solution:

Bimba developed a diaphragm actuator with short overall height, allowing the cylinder to fit into the customer's tight space envelope, providing minimal friction. The design allows parts to be clamped without marking the surface. This reduced the amount of scrap and increased the company's sales and margins.

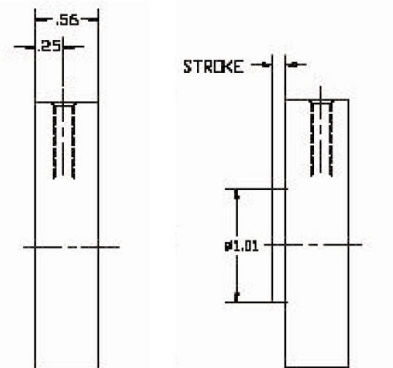


Benefits:

- Lots of force in a small package.
- Minimal friction.
- Able to clamp without marking surface of product.

Other Applications:

- Clamping
- Conveyor Stop
- Packaging



DRAWN RETRACTED

DRAWN EXTENDED

Contact Bimba at [1-800-44-BIMBA](tel:1-800-44-BIMBA) or cs@bimba.com

CSS-00119-A

www.bimba.com/en/Solution-Centers/Industry-Solutions-Center/